



North Star Bakery
Wedding
Guide

Booking Process

First of all, thanks for your interest in North Star Bakery for your wedding cake! I love to be a part of making your day extra memorable by providing beautiful and delicious desserts your guests will rave about.

Here I'll walk you through the process of booking with me!

- 1 Send an inquiry via my website - this will allow me a chance to make sure we're a good fit and that I'm able to accommodate your wedding date.
- 2 Schedule a tasting (if available). I periodically offer tasting kits containing various cake flavors, fillings, and frostings for you to mix and match to help you decide what flavors you'd like to order.
- 3 Get an initial quote for services based on your dessert choices.
- 4 Sign a contract and submit your deposit.
- 5 Mallory will provide an initial design and we'll work together to create your cake vision!
- 6 One month before your wedding, we'll connect to lock in your order quantities and any other details that need to be finalized.
- 7 Two weeks before the big day, you'll pay the final invoice and confirm any delivery/day-of details that are still needed.
- 8 On the #BestDayEver, North Star Bakery will deliver and set up your cake at the venue.
- 9 Get Married, Eat Cake, and Party!

Flavors

At North Star Bakery, we believe your cake should be too pretty to cut into - but more than worth it once you do!

Cake

- Chocolate
- Vanilla
- Lemon
- Confetti
- Marble
- Red Velvet

Frosting

- Vanilla
- Chocolate
- Lemon
- White Chocolate
- Coffee
- Raspberry
- Peanut Butter
- Salted Caramel

Fillings

- Lemon Curd
- Ganache
- Raspberry
- Salted Caramel

Cakesicles

- Vanilla
- Chocolate
- Red Velvet
- Lemon
- Lemon Raspberry

Have a different flavor in mind?

Let's talk!

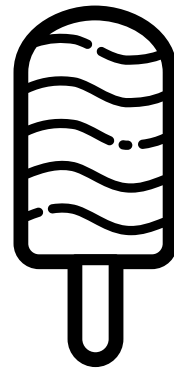
Pricing

All prices are base prices. Certain fillings and decorative elements can increase the cost.



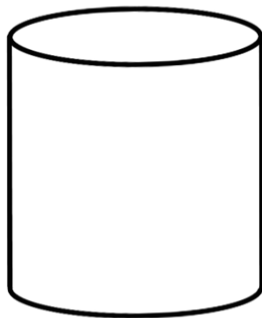
Cupcakes

Starts at \$3/each



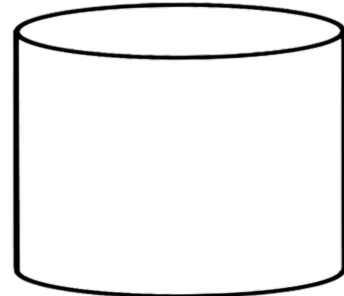
Cakesicles

Starts at \$4/each



6 Inch Cake

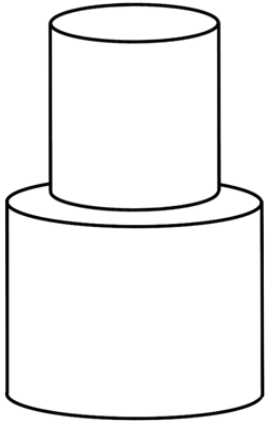
Serves 12
Starts at \$150



8 Inch Cake

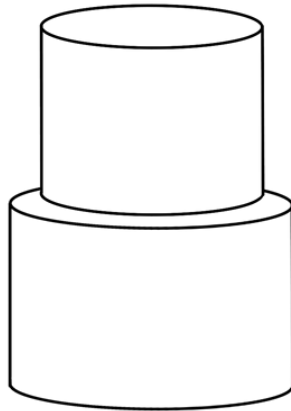
Serves 24
Starts at \$175

Tiered Cakes



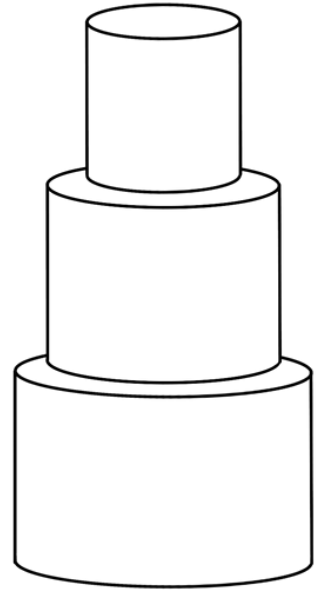
6+8 inch
Cake

Serves 36
Starts at \$275



8+10 inch
Cake

Serves 60
Starts at \$315



6+8+10 inch
Cake

Serves 72
Starts at \$400

Additional tiered selections available - please ask if you have a specific size in mind!

Additional Notes

- Servings are calculated by the industry standard of approx. 4" tall, 1" wide, and 2" deep.
 - Tiered cakes can have separate flavors for each tier.
 - Undecorated sheet cakes available for \$3 per slice.
- Day-of delivery and setup available - price TBD based on reception location.